

Industrial Ethernet Switches

PIFE-8T-2GB-MF 8 port 10/100Tx PoE+



Key Features

- 2 Gigabit ports, 8 x 10/100Mbps IEEE 802.3at PoE+ Ports
- Self-Healing recovery time (<20ms) and RSTP/STP network redundancy
- SNMPv3, IEEE 802.1X, HTTPS, and SSH to enhance network
- Management via web browser, CLI, Telnet /serial console, SNMP
- Operating temperature -40 to +75°C
- Redundant power inputs
- IP40 Housing



System Interface

- RJ 45 Ports support MDI / MDI-X
- 2 x1000 SFP Ports
- Store and Forward architecture
- Backplane 7.4Gbps, 5.5Mpps
- 1 Mbit Packet Buffer
- MAC Table size – 8K
- 8 x 10/100Tx IEEE 802.3at PoE+ ports over Signal Pairs (Annex A)

Power Supply

- 48 vdc (36 ~ 72vdc) dual redundant PSU's
- Input current 1.8A with POE + 5.2A @48VDC
- Overload current protection
- Reverse polarity protection
- Connector: 6 contact terminal block

Flow control

- IEEE 802.3x Flow control, back pressure

Bandwidth Management

- Prevents un-predictable network status
- Traffic control for multicast & Broadcast

IGMP V1 / V2 Snooping for multicast traffic

- 256 IGMP Groups

VLAN

- IEEE 802.1Q VLAN Tagging
- VLAN ID Range 1 to 4096
- GVRP to ease network planning

Port Trunking with LACP IEEE 802.3ad

SNTP Client or Server

LLDP Network Discovery

Resilience

- Resilient 'Ring', selfheal < 20 ms (256 switches)
- STP 802.1d, RST 802.1w

Security

- RADIUS Server Support
- IEEE 802.1x EAP Authentication
- VLAN
- MAC Authentication
- Port locking to block unauthorised access

Broadcast Storm Control

- Multiple broadcast / Multicast / DLF

Link Layer Discovery Protocol (802.1ad)

Bandwidth Control

- Select Ingress and Egress bandwidth

Management

- SNMP V1 / V2 / V3
- Web based - HTTPS
- CLI / Telnet / Serial SSH
- RMON Groups 1,2,3 & 9
- MIB II, Ethernet Like MIB, P-Bridge MIB,
- Q-Bridge MIB, Bridge MIB, RSTP MIB
- Automatic alarm through E.Mail, Alarm relays
- Port Mirroring – RX, TX, both
- TFTP Configuration back up & restore

Quality of Service

- IEEE 802.1p Class of Service (MAC Layer)
- ToS / Diffserve enable or disable
- Port based priority 0 to 7
- 4 Priority queues per port
- WRR and Strict Priority
- Mapping priority to local precedence

Industrial Ethernet Switches

PIFE-8T-2GB-MF 8 port 10/100Tx PoE+



Specifications

Standards

- IEEE 802.3at PoE+ over Signal Pairs
- IEEE 802.3u
- IEEE 802.3ab
- IEEE 802.1D-2004 for STP
- IEEE 802.1w Rapid Spanning Tree
- IEEE 802.1Q VLAN Tagging
- IEEE 802.1p Class of Service
- IEEE 802.1x for authentication
- IEEE 802.3ad Port Trunking with LACP
- IEEE 802.3x for Flow Control

Housing

- Metal with IP 40 protection
- Dimensions 60.2 x 115.5 x 138.5mm
- Weight 750 gms
- Operating temperature -40C ~ +75C
- Storage Temperature: -40C ~ 85C
- Humidity 5% ~ 95% non-condensing
- Alarm contact 2 relay outputs 0.5A @ 48V

Certificates

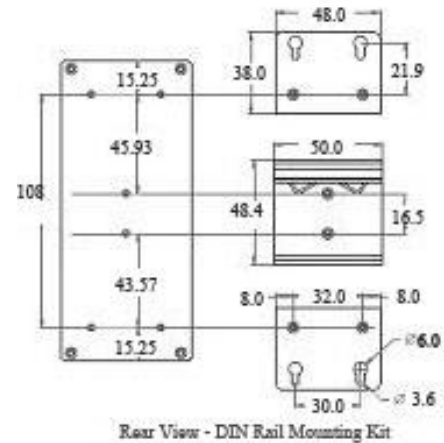
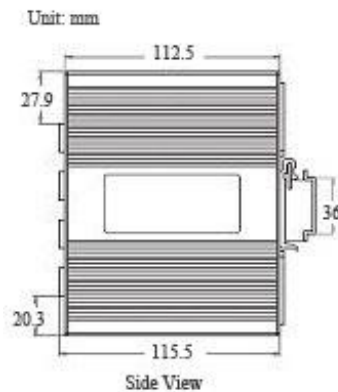
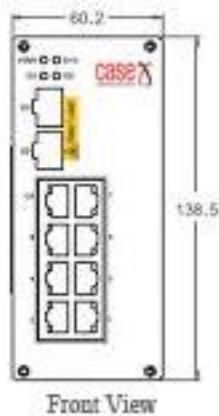
- Safety: UL 60950-1
- EMI: FCC Part 15 sub part B Class A
- EN 55022 Class A

EMS

- EN 61000-4-2 (ESD) Level 3
- EN 61000-4-3 (RS) Level 3
- EN 61000-4-4 (EFT) Level 3
- EN 61000-4-5 (Surge) Level 3
- EN 61000-4-6 (CS) Level 3
- EN 61000-4-8 Level 3

Shock and Vibration

- Shock : IEC 60068-2-27
- Freefall: IEC 60068-2-32
- Vibration: IEC 60068-2-6



Feature	Ordering Information
PIFE 8T2GB MF	Industrial Ethernet Switch 8x10/100 Tx PoE+ and 2 1000FX SFP ports, managed switch with Resilient Ring Technology